



Room Temperature Sensor RTS100



Laboratories, Life Sciences, Healthcare

- Room Temperature Sensor
 - Type II, 10K ohm Thermistor
- Available as a combination Room Temperature and Room Humidity Sensor
- Options include:
 - LCD Display
 - Setpoint Adjustment Slider
 - Momentary Override Switch
 - Humidity Sensor
- Used with Accutrol AC8000 Series Controllers
- Used with BAS Controllers

Description

The Accutrol RTS100 Series includes wall mounted Room Temperature Sensors and combination Room Temperature/Humidity Sensors. Options include temperature setpoint adjustment slider as well as manual override switch where required. The RTS100 Series Sensors are designed to be used with Accutrol AC8000 Series Controllers and BAS Controllers. Please see the Selection Matrix on page 3.

Features and Options

- 10K Ω Type II thermistor
- Optional setpoint adjustment slider (warm/cool)
- Large LCD provides local indication of temperature as well as setpoint, setpoint adjust, override and humidity when ordered as options.
- Momentary override switch option can be configured as a separate output.
- Optional communication jack allows direct connection to the room controller.

Specifications RTS100 Temperature Sensor

ENVIRONMENTAL

Temperature	32° to 122° F (0° to 50° C)
Humidity	0% to 95% non-condensing

PHYSICAL CHARACTERISTICS

Material/Rating	ABS Plastic, UL 94, V-O
Material Color	Warm White

MOUNTING

Standard 2"x4" J-box or drywall mount (screws provided)

SENSING ELEMENT (TEMPERATURE)

Thermistor	10K-2 ohm @ 25° C
Accuracy	±2%

AGENCY

RoHS, CE

POWER / POWER CONSUMPTION (LCD DISPLAY MODELS)

Power Required	15 to 40VDC or 15 to 28 VAC* * Note: AC power requires a separate pair of shielded wires.
Power Consumption	7mA max DC; 17 VA max AC

LCD DISPLAY OPTION

Temperature Display	°F Standard (can be set to °C in field)
----------------------------	---

Specifications RTS100 Temperature/Humidity Sensor

ENVIRONMENTAL

Temperature	32° to 122° F (0° to 50° C)
Humidity	0% to 95% non-condensing

PHYSICAL CHARACTERISTICS

Material/Rating	ABS Plastic, UL 94, V-O
Material Color	Warm White

MOUNTING

Standard 2"x4" J-box or drywall mount (screws provided)

TEMPERATURE SENSOR

Thermistor	10K-2 ohm @ 25° C
Accuracy	±2%

HUMIDITY SENSOR

Sensor	Capacitive Polymer
Accuracy	±2% RH (10-90%) @ 25° C, Fully compensated
Signal Output	0 to 10VDC

AGENCY

RoHS, CE

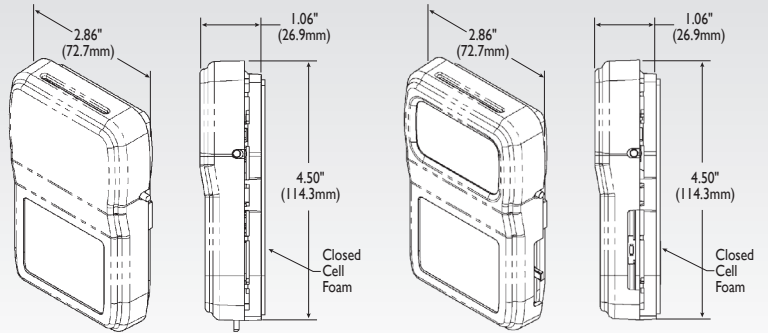
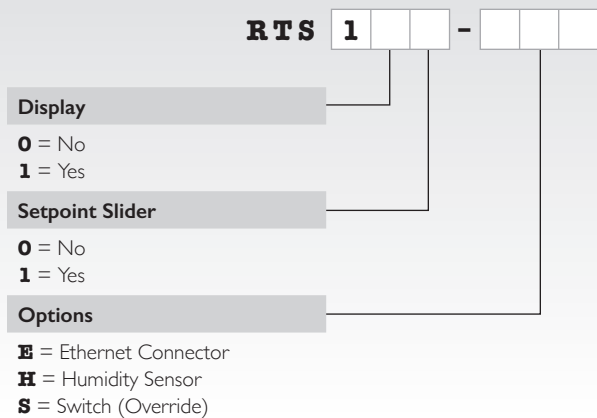
POWER / POWER CONSUMPTION (LCD DISPLAY MODELS)

Power Required	15 to 40VDC or 15 to 28 VAC* * Note: AC power requires a separate pair of shielded wires.
Power Consumption	74 mA max. / 0.1 VA max. for 0 to 10VDC output

LCD DISPLAY OPTION

Temperature Display	°F Standard (can be set to °C in field)
----------------------------	---

Room Temperature Sensor Ordering Guide



RTS100 / RTS101

RTS110 / RTS111
(with display)

Selection Matrix

Accutrol Model Code	Display (I)	Setpoint Slider (I)	OPTIONS			USE WITH	
			Ethernet Connector (E)	Humidity Sensor (H)	Switch (Override) (S)	BAS Controller	AC8000 Controller
RTS100	*	*	*	*	*	✓	✓
RTS100-E	*	*	✓	*	*	✓	✓
RTS100-S	*	*	*	*	✓	✓	✓
RTS100-ES	*	*	✓	*	✓	✓	✓
RTS101	*	✓	*	*	*	✓	✓
RTS101-E	*	✓	✓	*	*	✓	✓
RTS101-S	*	✓	*	*	✓	✓	✓
RTS101-ES	*	✓	✓	*	✓	✓	✓
RTS110	✓	*	*	*	*	✓	✓
RTS110-E	✓	*	✓	*	*	✓	✓
RTS110-S	✓	*	*	*	✓	✓	✓
RTS110-ES	✓	*	✓	*	✓	✓	✓
RTS111	✓	✓	*	*	*	✓	✓
RTS111-E	✓	✓	✓	*	*	✓	✓
RTS111-S	✓	✓	*	*	✓	✓	✓
RTS111-ES	✓	✓	✓	*	✓	✓	✓
RTS110-H	✓	*	*	✓	*	✓	✓
RTS110-EH	✓	*	✓	✓	*	✓	✓
RTS110-HS	✓	*	*	✓	✓	✓	✓
RTS110-EHS	✓	*	✓	✓	✓	✓	✓
RTS111-H	✓	✓	*	✓	*	✓	✓
RTS111-EH	✓	✓	✓	✓	*	✓	✓
RTS111-HS	✓	✓	*	✓	✓	✓	✓
RTS111-EHS	✓	✓	✓	✓	✓	✓	✓