

ACCUVALVE® MODEL AVC6000 SUBMITTAL

MODEL CODE

! WARNING: NOT FOR USE WITH PERCHLORIC ACID

AVC6 - -

VALVE HOUSING MATERIAL

- 2 = 304SS, 20 GAUGE
- 3 = 316SS, 20 GAUGE
- 4 = ALUMINUM, 16 GAUGE
- 6 = HIGH TEMP 304SS, 20 GAUGE

SIZE

- 06 = 06" DIAMETER
- 08 = 08" DIAMETER
- 10 = 10" DIAMETER
- 12 = 12" DIAMETER
- 14 = 14" DIAMETER
- 18 = 12"x18" RECTANGULAR
- 24 = 12"x24" RECTANGULAR
- 36 = 12"x36" RECTANGULAR
- 48 = 12"x48" RECTANGULAR

OPTIONS

- BLANK = NO OPTIONS
- A = ACCUNET®
- F = FLANGES (REF NOTES 3 & 4)
- I = INSULATION (REF NOTE 5)
- S = TIGHT SHUT-OFF (REF NOTE 1)
- W = WIRELESS BLUETOOTH

ACTUATOR

- 03 = FAIL LAST POSITION (FLP), 2 SEC
- 05 = FAIL OPEN/CLOSED (FSP), 2 SEC
- 07 = FAIL LAST POSITION (FLP), 21 SEC

MODEL CODE NOTES:

- 1) Blade seals are standard on all 6" valves, therefore -S option is not available for valve size -06.
- 2) Actuator Type "5" factory default is set to "fail open".
- 3) Reference the Flange Detail - Vanstone submittal drawing for round flanges
- 4) Reference the Flange Detail - Rectangular submittal drawing for rectangular flanges.
- 5) Insulation is not available on High Temperature AccuValve, Reference the Insulation detail submittal drawing.

MATERIALS

Materials Exposed to the Airstream				
Model Material Designator	(2) 304SS	(3) 316SS	(4) Aluminum	(6) High Temp 304SS
Housing	304 Stainless Steel	316 Stainless Steel	Al. Alloy 5052-H32	304 Stainless Steel
Compression Section	304 Stainless Steel	316 Stainless Steel	Al. Alloy 5052-H32	304 Stainless Steel
Static Regain Section	304 Stainless Steel	316 Stainless Steel	Al. Alloy 5052-H32	304 Stainless Steel
End Plate	304 Stainless Steel	316 Stainless Steel	Galvanized Steel	304 Stainless Steel
Blades	304 Stainless Steel	316 Stainless Steel	Galvanized Steel	304 Stainless Steel
Shafts	316 Stainless Steel	316 Stainless Steel	316 Stainless Steel	316 Stainless Steel
Shaft Bearings	Teflon	Teflon	Teflon	Teflon
Vortex Sensors	Polycarbonate Plastic, UL94-V0	Polycarbonate Plastic, UL94-V0	Polycarbonate Plastic, UL94-V0	303 Stainless Steel
Sensor Tubing	Polyurethane, Ether-based	Polyurethane, Ether-based	Polyurethane, Ether-based	Viton Rubber
Compression Seals	Viton Rubber	Viton Rubber	EPDM Rubber	Viton Rubber
Machine Screws	304 Stainless Steel	316 Stainless Steel	304 Stainless Steel	304 Stainless Steel
Rivets	304SS	316SS	304SS	304 SS
Blade Seals (optional)	Viton Rubber	Viton Rubber	EPDM Rubber	Viton Rubber

OPERATING RANGE

Valve Model	Min. Flow Measured			Full Scale Range		
	CFM	L/S	CMH	CFM	L/S	CMH
AVC6X06-XX	30	14	51	315	149	535
AVC6X08-XX	80	38	136	800	378	1359
AVC6X10-XX	120	57	204	1300	613	2209
AVC6X12-XX	180	85	306	1790	845	3041
AVC6X14-XX	250	118	425	2750	1298	4672
AVC6X18-XX	260	123	442	3200	1510	5437
AVC6X24-XX	350	165	595	4000	1888	6796
AVC6X36-XX	520	245	883	6400	3020	10874
AVC6X48-XX	700	330	1189	8000	3775	13592

SIZE AND WEIGHT

Valve Model	Valve Dimensions (Reference Sheet 2)						Weight					
	"D" or "W"		"L"		"H"		Stainless Steel		Aluminum		Flange Add	
	in.	mm	in.	mm	in.	mm	Lbs.	kg	Lbs.	kg	Lbs.	kg
AVC6X06-XX	5.88	149	22	559	10	254	13	5.9	9	4.1	2.0	0.9
AVC6X08-XX	7.88	200	24	610	13	330	16	7.3	12	5.4	2.6	1.2
AVC6X10-XX	9.88	250	24	610	15	381	20	9.1	14	6.4	3.2	1.5
AVC6X12-XX	11.88	300	27	686	17	432	26	11.8	16	7.3	4.5	2.0
AVC6X14-XX	13.88	350	30	762	19	483	30	13.6	20	9.1	5.2	2.4
AVC6X18-XX	17.88	454	30	762	19	483	43	19.5	26	11.8	5.0	2.3
AVC6X24-XX	23.88	607	30	762	19	483	49	22.2	29	13.2	5.5	2.5
AVC6X36-XX	35.88	911	30	762	19	483	97	44	59	26.8	10.0	4.5
AVC6X48-XX	47.88	1216	30	762	19	483	109	49.2	69	31.3	11.0	5.0



Accutrol Representative:

SUBMITTAL DRAWING

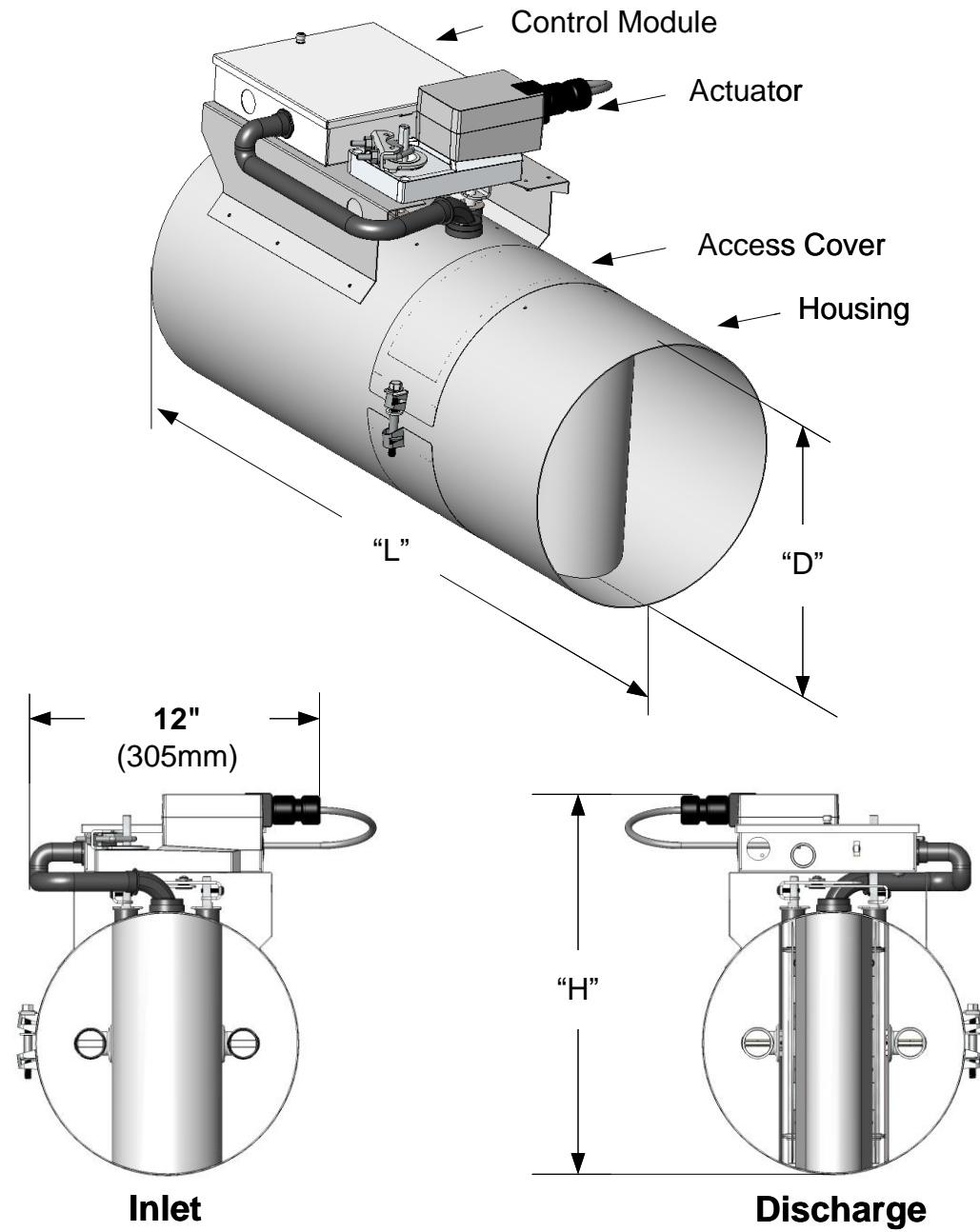
AccuValve® Model AVC6000

THIS DOCUMENT IS SUBJECT TO CHANGE WITHOUT NOTICE.
THIS DOCUMENT OR THE CONTENTS THEREOF SHALL NOT BE MODIFIED WITHOUT PRIOR WRITTEN PERMISSION BY ACCUTROL LLC.

DWG. NO:	AVC6000 SUBMITTAL DWG		
REVISION:	L	ECN:	2748
REV. DATE:	12-1-21	SHEET:	1 OF: 5

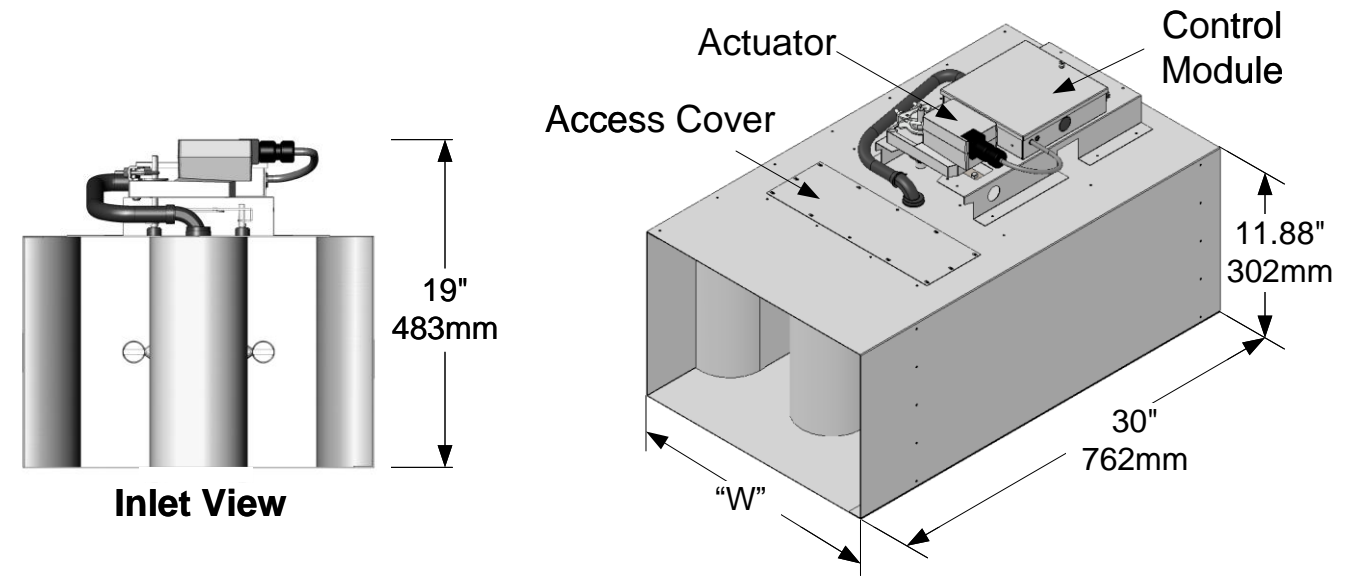
ROUND VALVE

- AVC6X06-XX
- AVC6X08-XX
- AVC6X10-XX
- AVC6X12-XX
- AVC6X14-XX

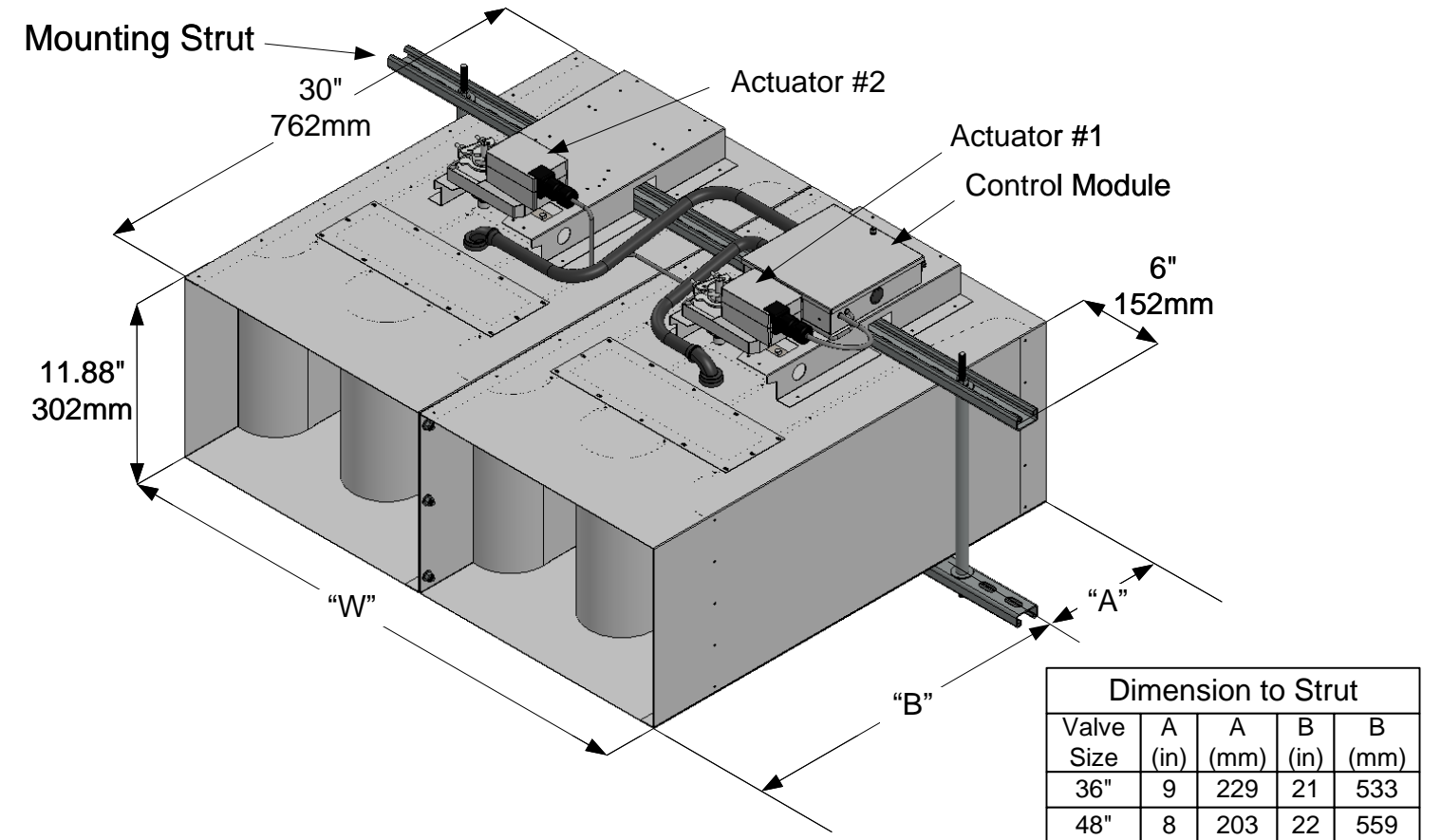


RECTANGULAR VALVE

- AVC6X18-XX
- AVC6X24-XX



- AVC6X36-XX
- AVC6X48-XX



ROUND VALVE: INSTALLATION INSTRUCTIONS

! WARNING: Wear eye protection, protective gloves and clothing suitable for working with sheet metal which may have sharp edges.

1. Read all instructions prior to beginning installation.

NOTE: For detailed installation instructions, refer to the AccuValve® Installation & Operation Manual.

2. Verify the tag number located on the valve label matches the HVAC schedule.

3. Locate the duct section which the valve is servicing and select a suitable mounting location for the valve.

NOTES: The AccuValve® does not require straight inlet duct runs to operate properly, however it's always best to locate the valve away from transitions and bends to minimize impact on system static pressure. Be sure to select a location that will provide a minimum clearance of 14 inches (356 mm) unobstructed access to the control module, actuator and valve access cover. The AccuValve® is not position sensitive. It can be installed in any plane or rotational axis without having impact on the performance.

4. Provide an opening in the selected duct section sized appropriately for the valve being installed.

NOTE: A slip-fit valve will require an opening approximately 2" (50.8 mm) smaller than the valve length, whereas a flanged valve will require an opening the same length as the valve. Reference Sheet 1 for valve dimensions.

5. Install duct hangers within 12 inches (305 mm) from each end of the valve. Reference Sheet 1 for valve weights.

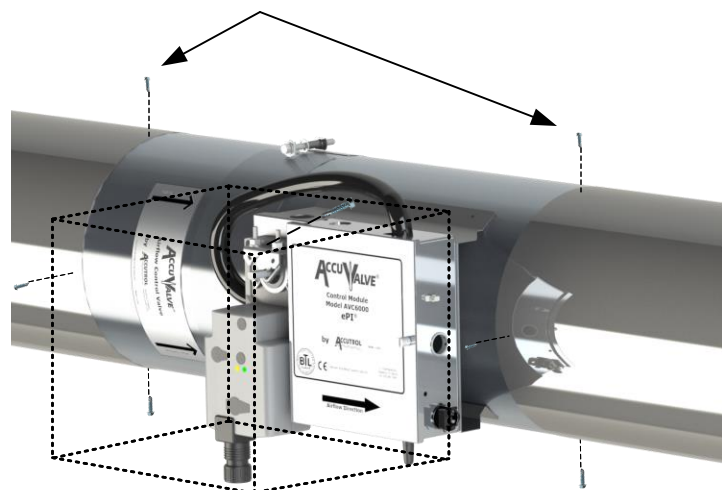
! WARNING: Use duct hangers and hardware designed to support the total load of valve and associated duct sections. Failure to do so may result in serious personal injury or death.

6. Install the valve into the duct in accordance with the Airflow Direction Label located on the valve. Position the valve for easy access to the controller side then secure to duct per the appropriate Figure below.

NOTE: Screws, nuts, fasteners, duct sealant, hangers, and gaskets are not provided by Accutrol LLC.

Standard Slip-fit Valve Secured Using Tek Screws

Seal joints using duct sealant and secure valve to duct at both ends using Tek screws.



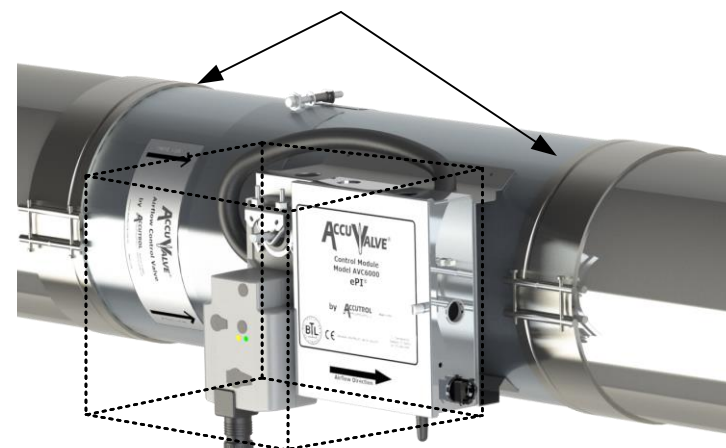
14" (356mm)
Keep-Out Zone

Figure 1

Standard Slip-fit Valve Secured Using Draw Bands

(Draw Bands are Sold Separately)

After sealing joints with appropriate type of tape, secure both ends using draw band clamps.



14" (356mm)
Keep-Out Zone

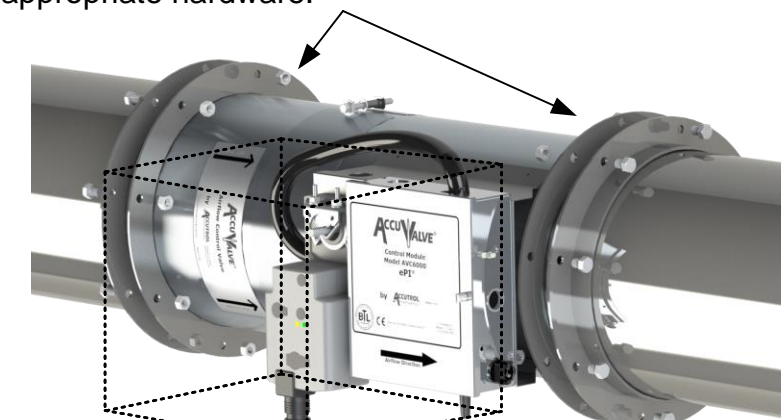
Figure 2

Reference Accutrol Draw Band Clamp Submittal Drawing for Details

Flanged Valve "Option F" Secured Using Companion Flanges

(Companion Flanges are Sold Separately)

Install companion flanges to duct ends and secure to duct. Apply duct sealant and/or gasket to flange face. Install valve and rotate Vanstone flanges to align with bolt holes on the duct flanges. Secure flanges using appropriate hardware.



14" (356mm)
Keep-Out Zone

Figure 3

Reference Accutrol Vanstone Flange Submittal Drawing for Details

RECTANGULAR VALVE: INSTALLATION INSTRUCTIONS

1. Read all instructions completely before installing the valve.

! WARNING: Wear eye protection, protective gloves and clothing suitable for working with sheet metal which may have sharp edges.

2. Verify the tag number located on the valve label matches the HVAC schedule.

3. Select optimum mounting location for the valve.

NOTE: The AccuValve® does not require straight inlet duct runs to operate properly, however it's always best to locate any duct device away from transitions and bends to minimize impact on system static pressure.

4. Allow a minimum clearance of 14 inches (356 mm) unobstructed access to the controller, actuator and valve access cover.

NOTE: Rectangular valves are normally installed with the "access side" facing downwards for easy access. However, the AccuValve® is not position sensitive. It can be installed in any plane or rotational axis without having impact on the performance.

5. To support the weight of the valve, install duct hangers within 12 inches (305 mm) of valve connections. The 12"x36" and 12"x48" valves include an integral mounting strut which shall be used to support the valve in addition to the duct hangers. Reference Sheet 1 for valve weights.

! WARNING: Use duct hangers and hardware designed to support the total load of the valve and associated duct sections. Failure to do so may result in serious personal injury or death.

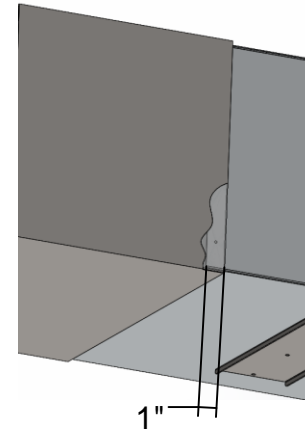
6. After the duct section is properly supported to carry the weight of the valve, install valve into the duct in accordance with the Airflow Direction Label located on the valve. Position valve so the controller, actuator and access cover are easily accessible. For 12x36" and 12x48" valves, attach the integral mounting bracket to threaded rod or duct hangers capable of supporting valve weight.

7. Reference the appropriate diagram to the right for installation details.

NOTE: Screws, nuts, fasteners, duct sealant, hangers, companion flanges and gaskets are not provided by Accutrol LLC.

RECTANGULAR VALVE: INSTALLATION DIAGRAMS

Figure 1
Standard Slip-fit Valve Using Tek Screws



For slip-fit applications valve must be inserted at least 1" into ductwork to cover open holes on valve housing.

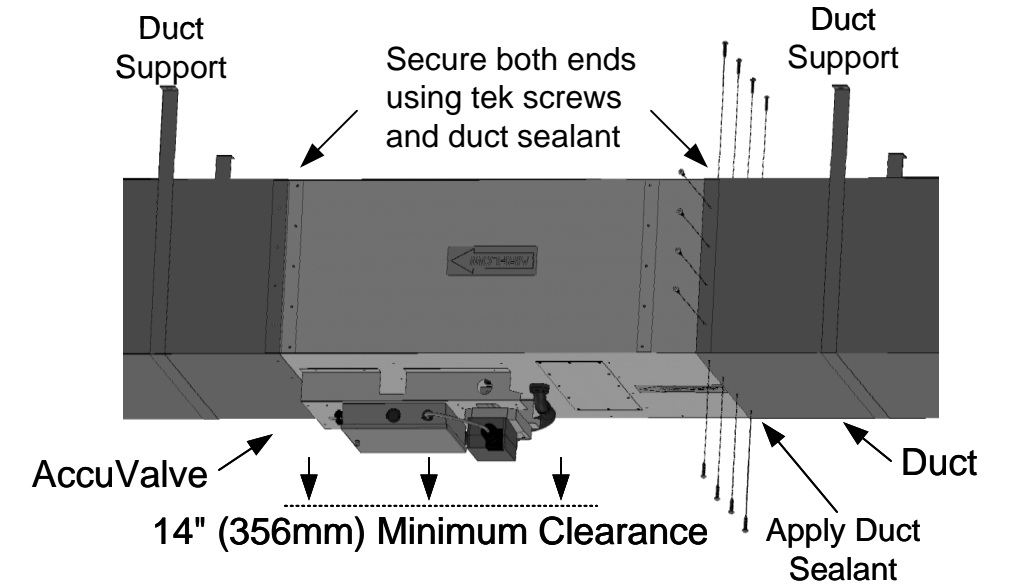


Figure 2
Flanged Valve "Option F" Using Companion Flanges

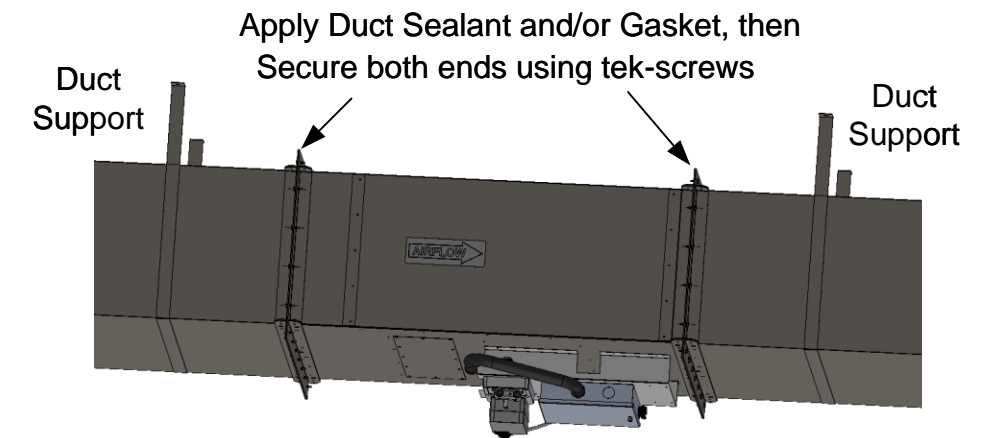
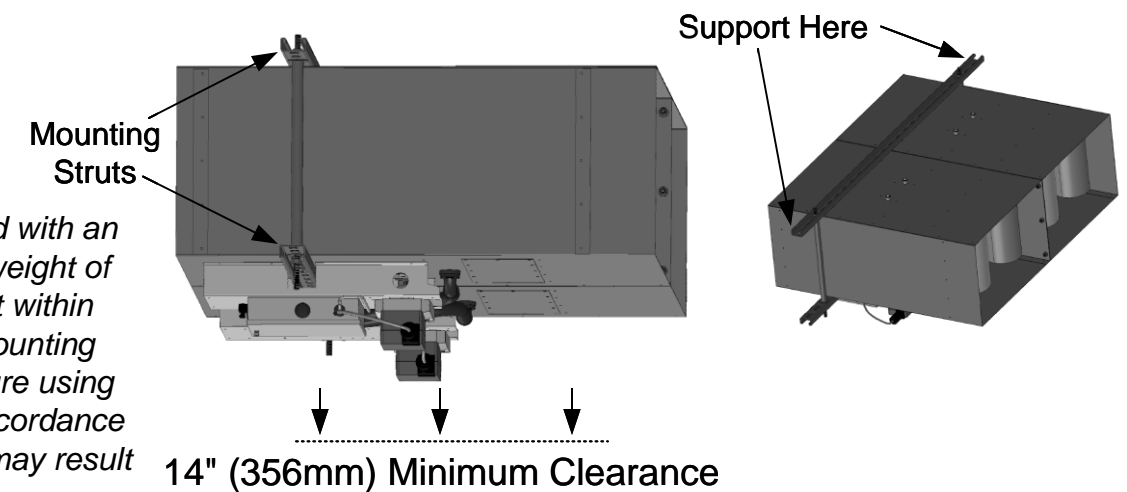


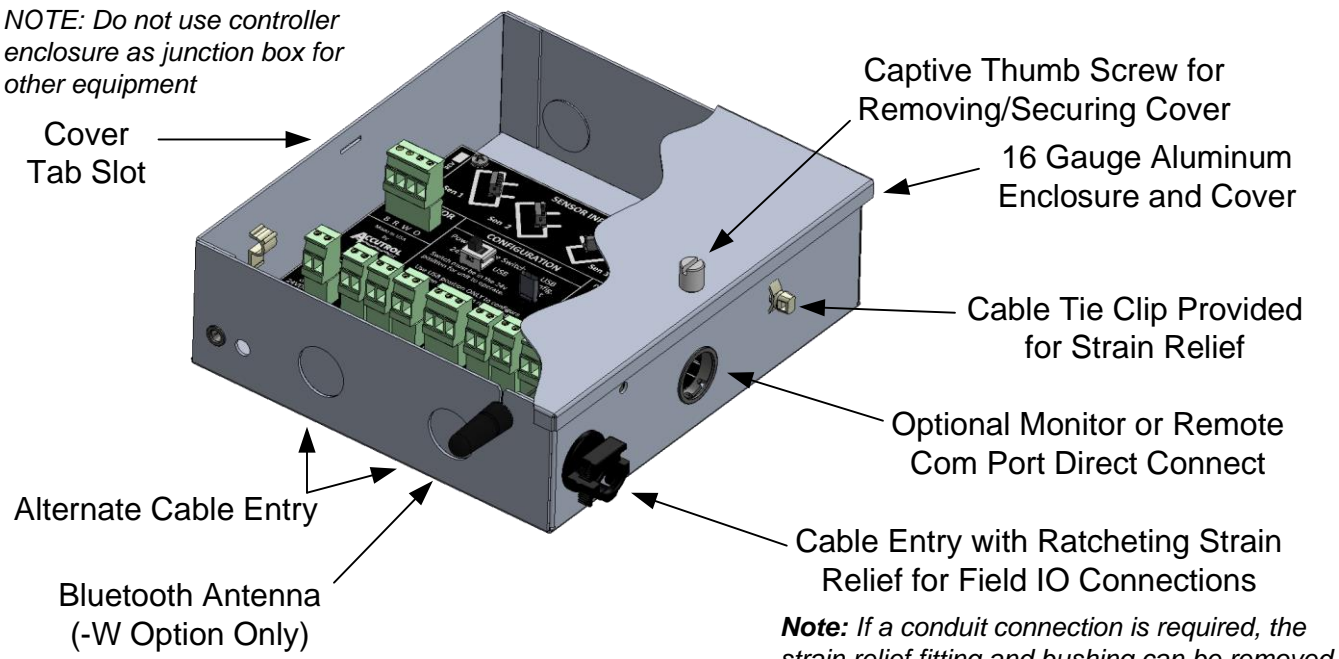
Figure 3
12x36" and 12x48" Valves

! WARNING: Dual valves are provided with an integral mounting strut to help support the weight of the valve. In addition to supporting the duct within 12" of the valve, each end of the integral mounting strut shall be secured to the building structure using properly rated hardware and methods in accordance with local building codes. Failure to do so may result in serious personal injury or death.



CONTROL MODULE

NOTE: Do not use controller enclosure as junction box for other equipment

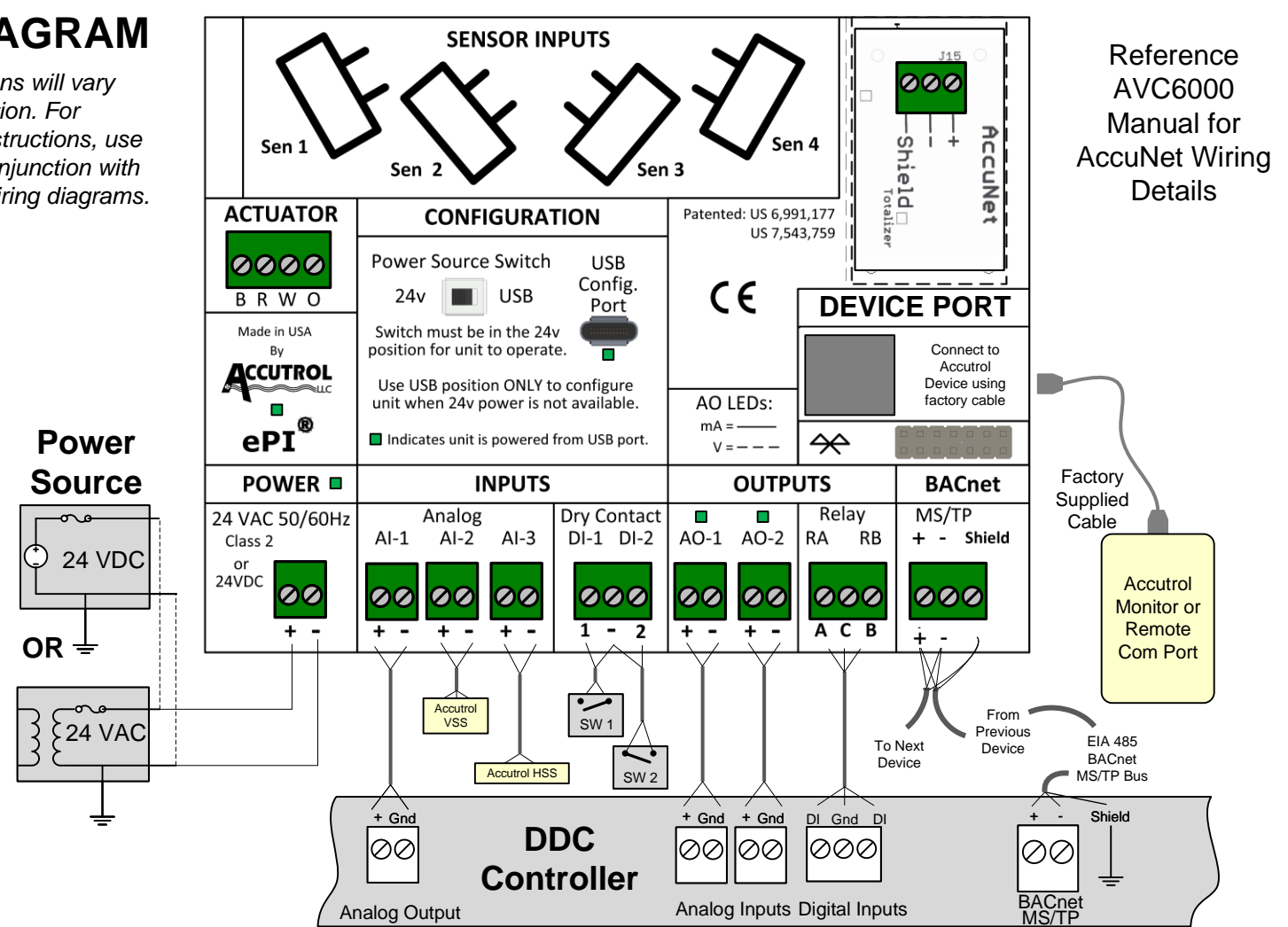


Wiring Instructions

1. Remove cover.
2. Route cables through the strain-relief fitting into the enclosure.
3. Remove terminal block plug(s) and connect wires to the appropriate terminals.
4. Secure terminal screws and reinstall plug(s).
5. Insert the ratcheting strain relief over cable(s) and push down until snug.
6. Reinstall cover and secure thumb screw.

WIRING DIAGRAM

NOTE: Connections will vary based on application. For detailed wiring instructions, use this drawing in conjunction with the job-specific wiring diagrams.



CAUTION: Maintain polarity if power source is used to power multiple devices otherwise equipment may be damaged.

ELECTRICAL SPECIFICATIONS

POWER: 24VAC +/-20%, 50/60Hz. (Class 2 Power Source) or 24VDC +/-10%.

Actuator Type	MAX POWER, Valve Sizes 06" through 24"			MAX POWER, Valve Sizes 36" through 48"		
	NO	WITH FHM1	WITH FHM3	NO	WITH FHM1	WITH FHM3
3	28VA or 16W	31VA or 17W	34VA or 19W	51VA or 29W	54VA or 30W	57VA or 32W
5	27VA or 14W	30VA or 15W	33VA or 17W	49VA or 25W	52VA or 26W	55VA or 28W
7	11VA or 7W	14VA or 8W	17VA or 10W	17VA or 11W	20VA or 12W	23VA or 14W

INPUTS:

Analog Inputs: AI-1, AI-2 and AI-3 (Software Selectable)
Voltage: 0-10V Range, Input Impedance = 100K ohms
Current: 0-20mA Range, Input Impedance = 500 ohms
Resistance: 0-20K Range, 500uA Internal Current Source

Digital Inputs: 2 dry-contact inputs

OUTPUTS:

Analog Outputs AO-1, AO-2 (software selectable): 0-20mA, 4-20mA, 0-10V, 2-10V, 0-5V or 1-5V
V-out capable of driving 1 K-ohm load @ 10V, I-out capable of driving 1K-ohm load

Alarm Output: DPDT Relay, NC/NO Contacts, 1A @ 30VDC or 0.3A @ 125 VAC

RS-485: EIA 485 BACnet MS/TP 2-wire, Receiver Impedance: 1/4 unit load
Note: Network bias and field termination are NOT provided by the AVC Control Module

MONITOR PORT, RJ-45: Connect to Accutrol monitor or remote com port. Connect using factory supplied cable only

CONFIGURATION PORT: USB Type C, Wireless Bluetooth (Optional)

IO TERMINAL PLUGS: 2 & 3 position, vertical pluggable, screw access on top, wire size range 12-30 AWG



Accutrol Representative:

SUBMITTAL DRAWING

AccuValve® Model AVC6000

THIS DOCUMENT IS SUBJECT TO CHANGE WITHOUT NOTICE. THIS DOCUMENT OR THE CONTENTS THEREOF SHALL NOT BE MODIFIED WITHOUT PRIOR WRITTEN PERMISSION BY ACCUTROL LLC.

DWG. NO:	AVC6000 SUBMITTAL DWG		
REVISION:	L	ECN:	2748
REV. DATE:	12-1-21	SHEET:	5 OF: 5